
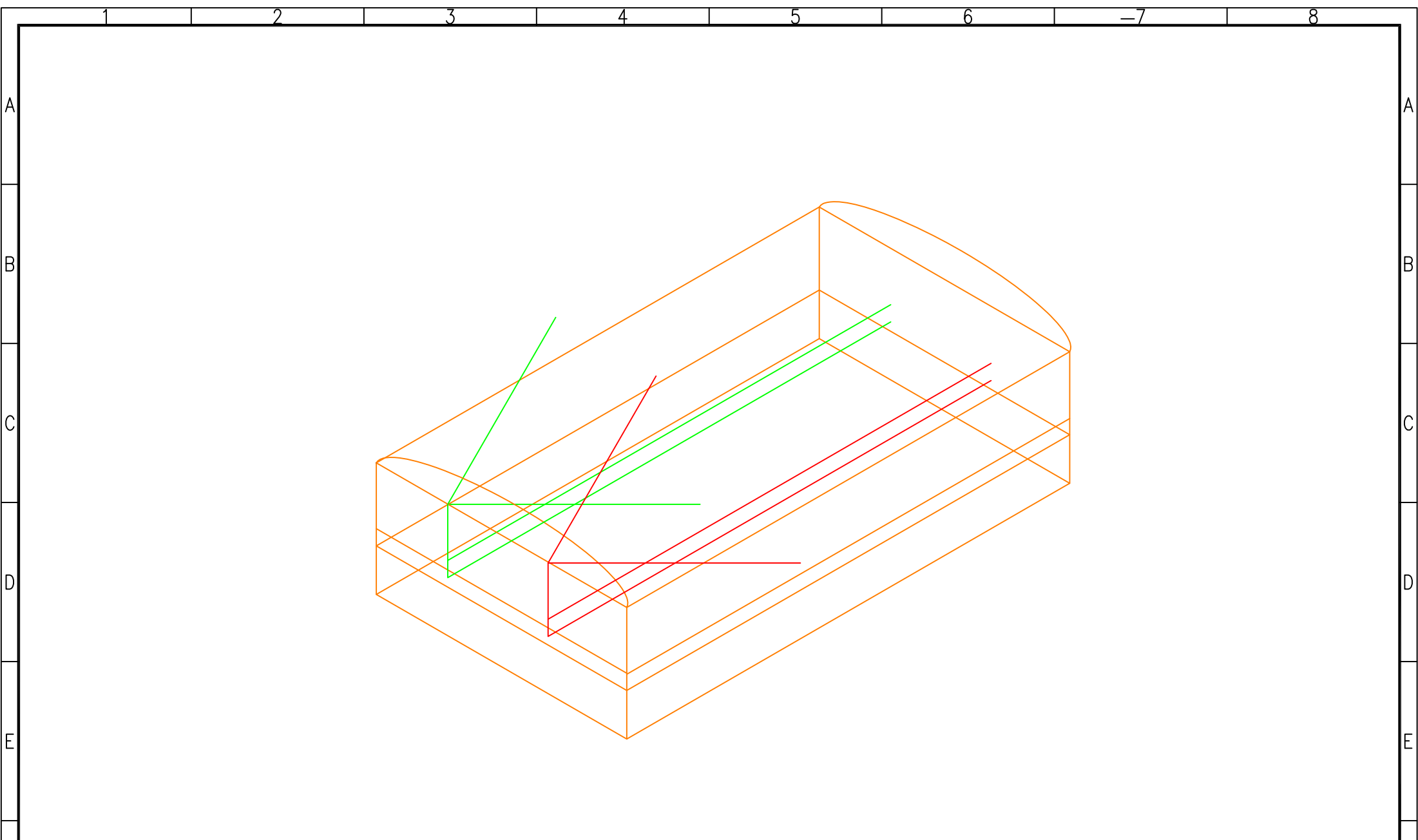



No.	SECTOR	TAG No.	DESCRIPTION	MONITOR POSITION
①	FURNACE	FB-CM-1L	FURNACE DOG HOUSE LEFT	CONTROL ROOM
②	FURNACE	FB-CM-1R	FURNACE DOG HOUSE RIGHT	CONTROL ROOM

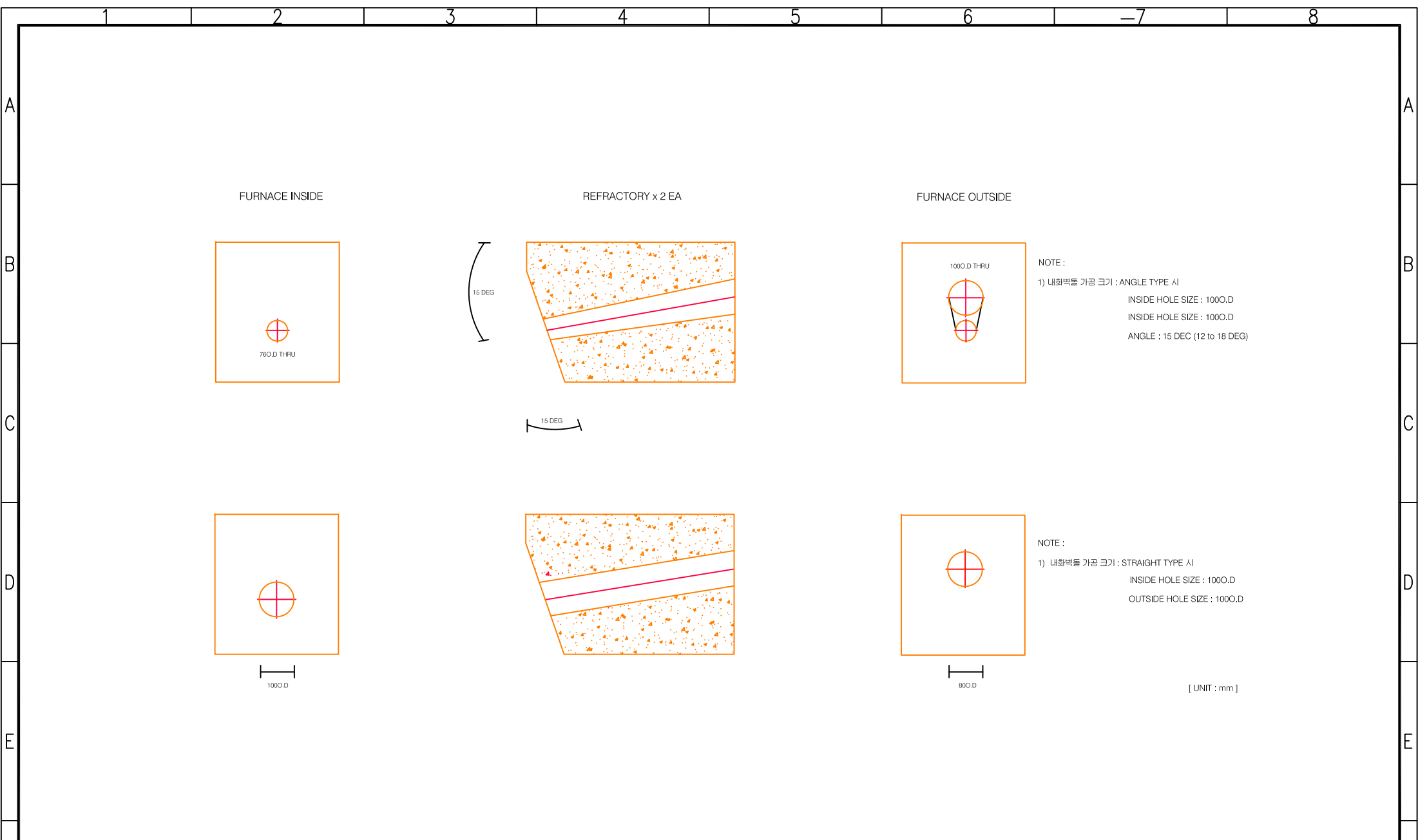
△							CUSTOMER	TITLE POSITION LAYOUT		SCALE N/S
△							PROJECT CCTV SYSTEM	FURNACE CCTV SYSTEM		DATE '08.01.07
△						DWG No. HW-CCTV -FU-001		SHEET No. 1	CONT. No. 11	
△	08.01.07	FOR APPROVAL	S.Y.SUN	J.MIN.LEE	Y.B.YOO	J.M.LEE	 (주) 호원아이엔씨 HOWON Instrument & control Co., Ltd.			
NO.	DATE	REVISIONS	PREPARER	CHECKER	REVIEWER	APPROVER				



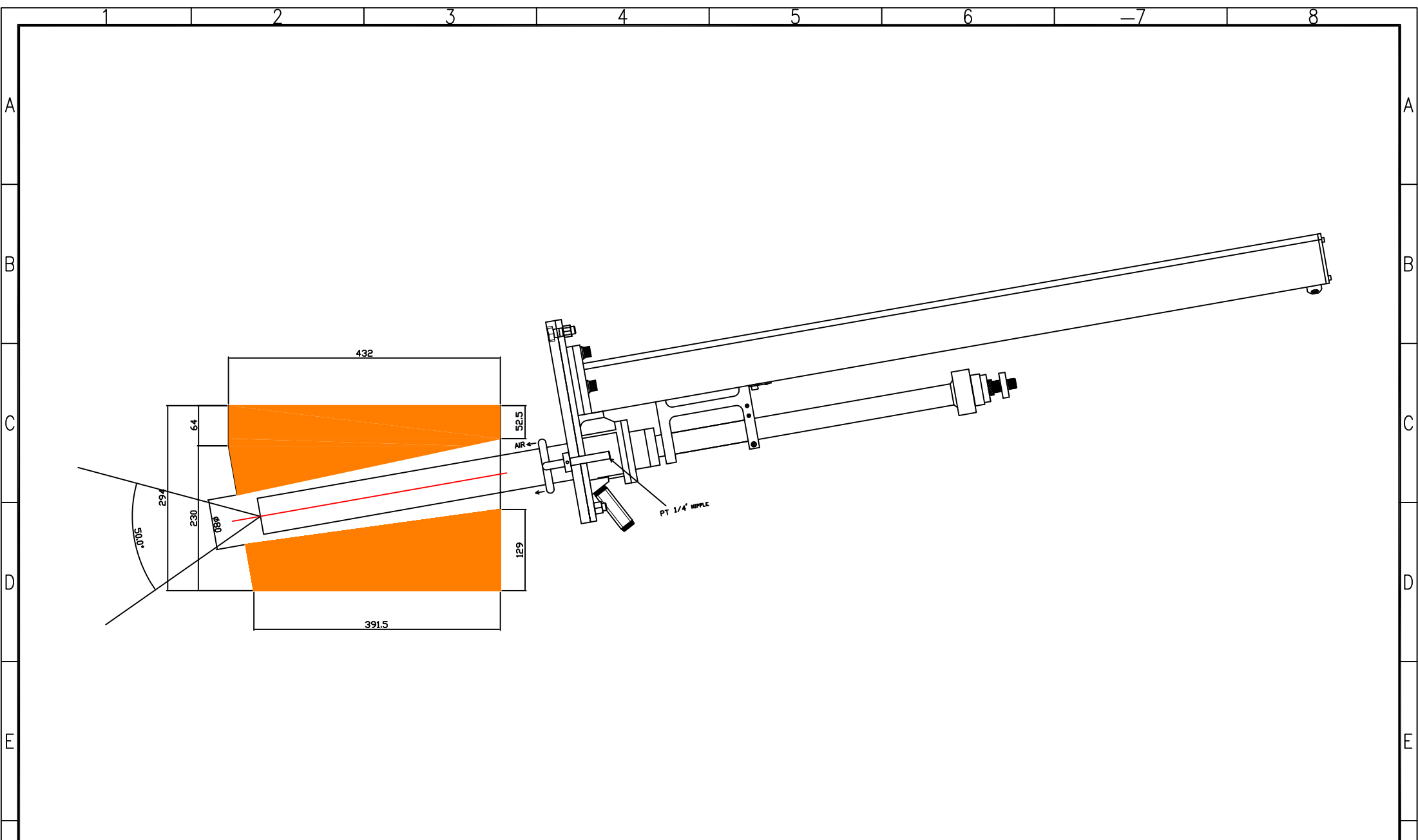
△							
△							
△							
△	08.01.07	FOR APPROVAL	S.Y.SUN	J.MIN.LEE	Y.B.YOO	J.M.LEE	
NO.	DATE	REVISIONS	PREPARER	CHECKER	REVIEWER	APPROVER	

CUSTOMER	
PROJECT	CCTV SYSTEM

TITLE	VIEW ANGLE LAYOUT	SCALE	N/S
	FURNACE CCTV SYSTEM	DATE	'08.01.07
DWG No.	HW-CCTV -FU-002	SHEET No.	2
		CONT. No.	11
 (주) 호원아이엔씨 HOWON Instrument & control Co., Ltd.			



F	△						CUSTOMER	TITLE	BRICK HOLE	SCALE	N/S
	△								FURNACE CCTV SYSTEM	DATE	'08.01.07
	△						PROJECT	DWG No.	HW-CCTV -FU-003	SHEET No.	3
	△	08.01.07	FOR APPROVAL	S.Y.SUN	J.MIN.LEE	Y.B.YOO	J.M.LEE			CONT. No.	11
	NO.	DATE	REVISIONS	PREPARER	CHECKER	REVIEWER	APPROVER	CCTV SYSTEM			
	1	2	3	4	5	6	(주) 호원아이엔씨 HOWON Instrument & control Co., Ltd.				
							PAPER : A3(420x297) SHEET : A3(405x283)				



△						
△						
△						
△	08.01.07	FOR APPROVAL	S.Y.SUN	J.MIN.LEE	Y.B.YOO	J.M.LEE
NO.	DATE	REVISIONS	PREPARER	CHECKER	REVIEWER	APPROVER

CUSTOMER

PROJECT

CCTV SYSTEM


TITLE

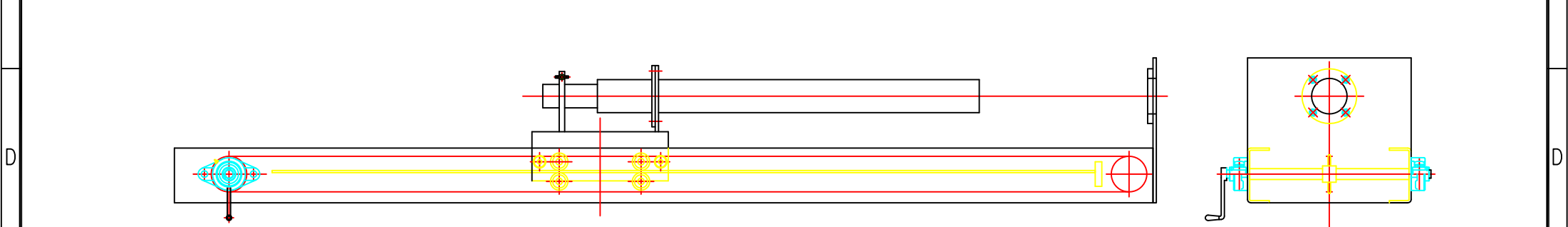
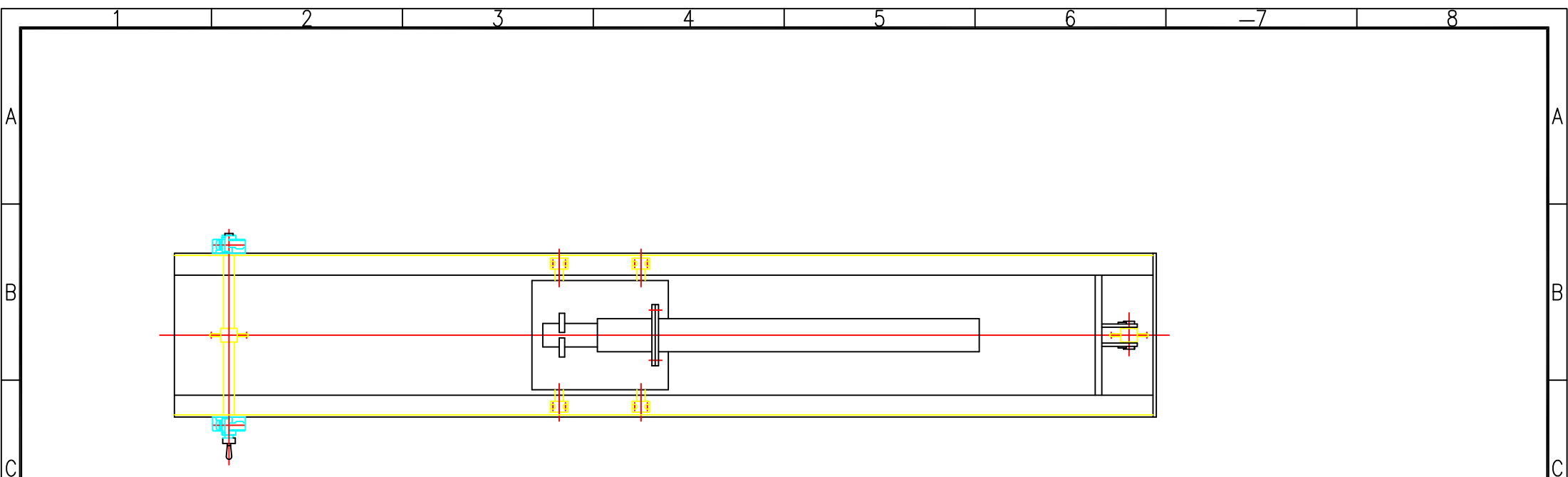
BLOCK DIAGRAM
FURNACE CCTV SYSTEM


SCALE N/S

DATE '08.01.07

DWG No. HW-CCTV -FU-004 SHEET No. 4 CONT. No. 11


 (주) 호원아이엔씨
 HOWON Instrument & control Co., Ltd.



△							CUSTOMER	TITLE	ASSEMBLY LAYOUT	SCALE	N/S	
△							PROJECT		FURNACE CCTV SYSTEM	DATE	'08.01.07	
△						CCTV SYSTEM		DWG No.	HW-CCTV -FU-005	SHEET No.	5	CONT. No.
△	08.01.07	FOR APPROVAL	S.Y.SUN	J.MIN.LEE	Y.B.YOO		J.M.LEE	 (주) 호원아이엔씨 HOWON Instrument & control Co., Ltd.				
NO.	DATE	REVISIONS	PREPARER	CHECKER	REVIEWER	APPROVER	PAPER : A3(420x297) SHEET : A3(405x283)					

1 2 3 4 5 6 -7 8

A A

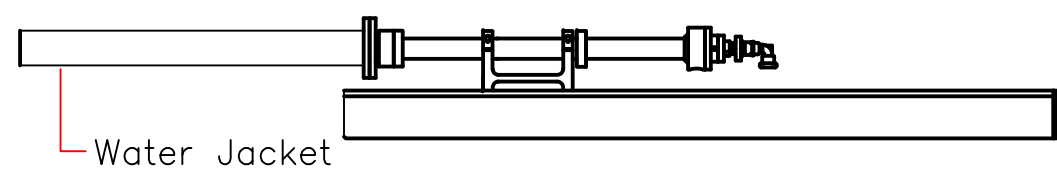
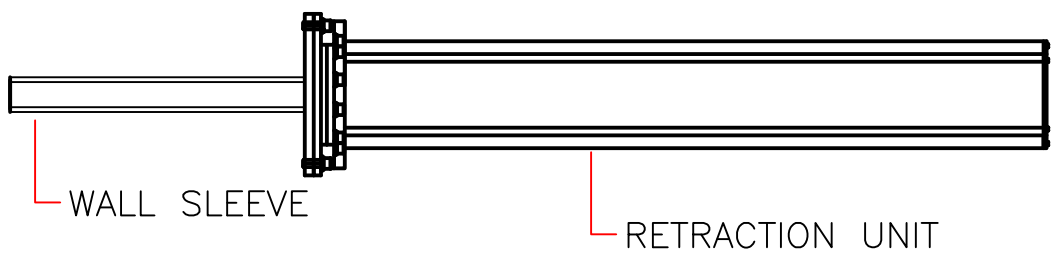
B B

C C

D D

E E


F F

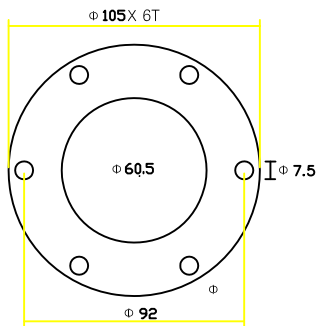
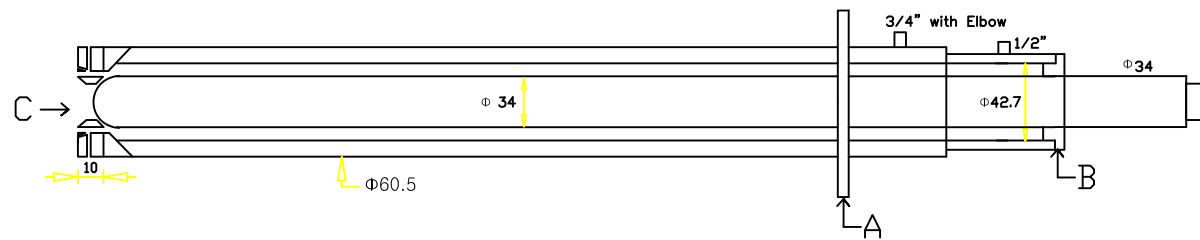


LENS TUBE & BRACKET LAYOUT

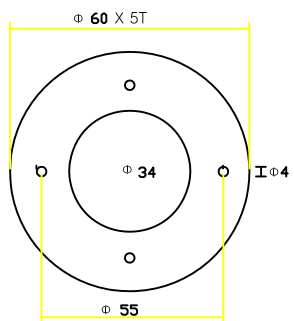


LENS TUBE LAYOUT

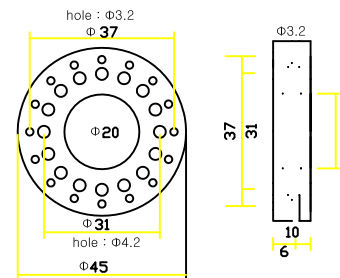
△							CUSTOMER	TITLE	SCALE	
△							PROJECT	LENS TUBE LAYOUT	N/S	
△						CCTV SYSTEM		FURNACE CCTV SYSTEM	DATE '08.01.07	
△	08.01.07	FOR APPROVAL	S.Y.SUN	J.MIN.LEE	Y.B.YOO		J.M.LEE	DWG No. HW-CCTV -FU-006	SHEET No. 6	CONT. No. 11
NO.	DATE	REVISIONS	PREPARER	CHECKER	REVIEWER		APPROVER	 (주) 호원아이엔씨 HOWON Instrument & control Co., Ltd.		



A




B

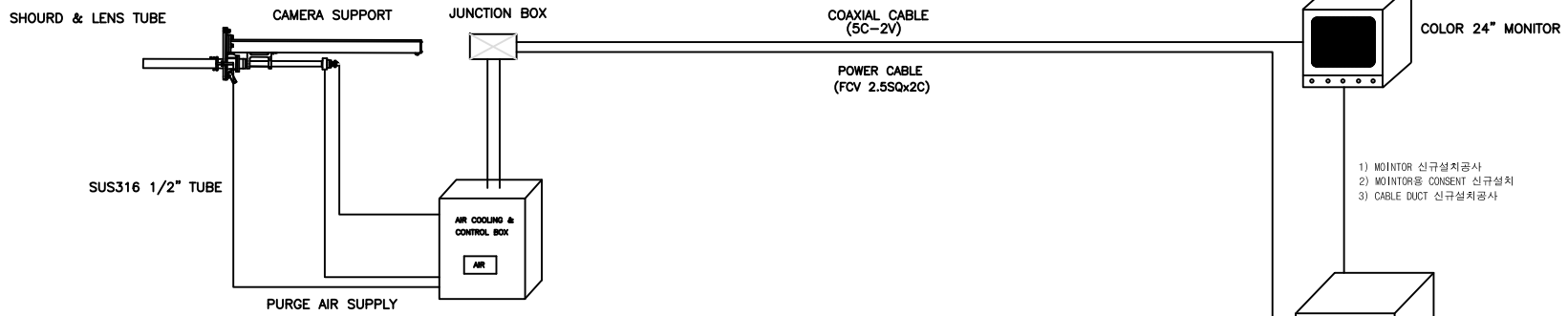
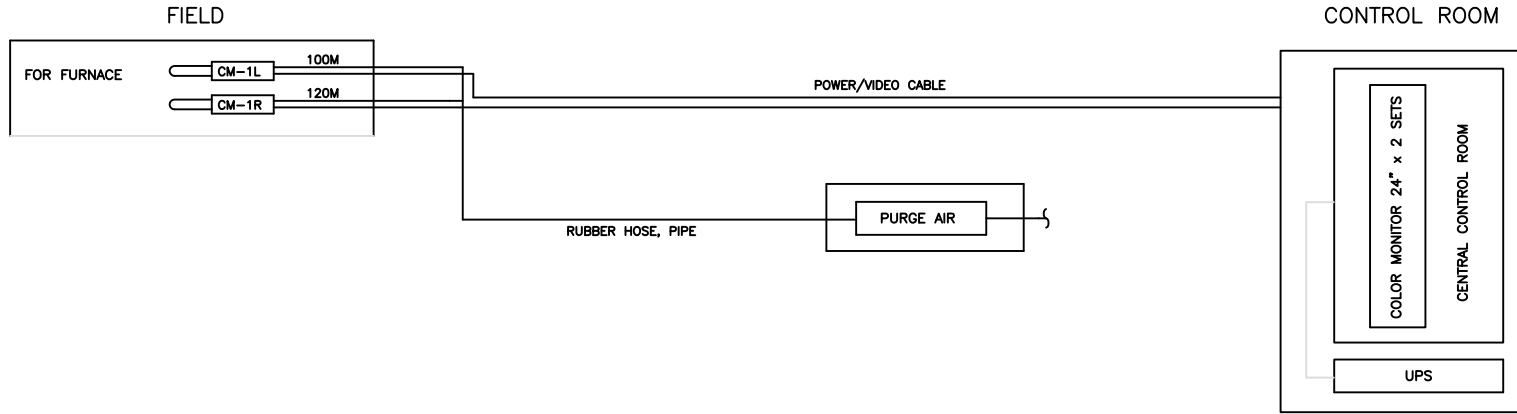


C

△							
△							
△							
△	08.01.07	FOR APPROVAL	S.Y.SUN	J.MIN.LEE	Y.B.YOO	J.M.LEE	
NO.	DATE	REVISIONS	PREPARER	CHECKER	REVIEWER	APPROVER	

CUSTOMER	
PROJECT	CCTV SYSTEM

TITLE	WATER JACKET LAYOUT		SCALE	N/S	
	FURNACE CCTV SYSTEM		DATE	'08.01.07	
DWG No.	HW-CCTV -FU-007	SHEET No.	7	CONT. No.	11
 (주) 호원아이엔씨 HOWON Instrument & control Co., Ltd.					



- 1) CAMERA SYSTEM & SUPPORT 제작설치
- 2) JUNCTION BOX 설치
- 3) JUNCTION BOX TO CAMERA HOUSING CABLE 작업 (ASBESTOS TAPE 처리포함)
- 4) FURNACE용 AIR COOLING & CONTROL BOX 설치공사
- AIR TUBING LINE 작업포함

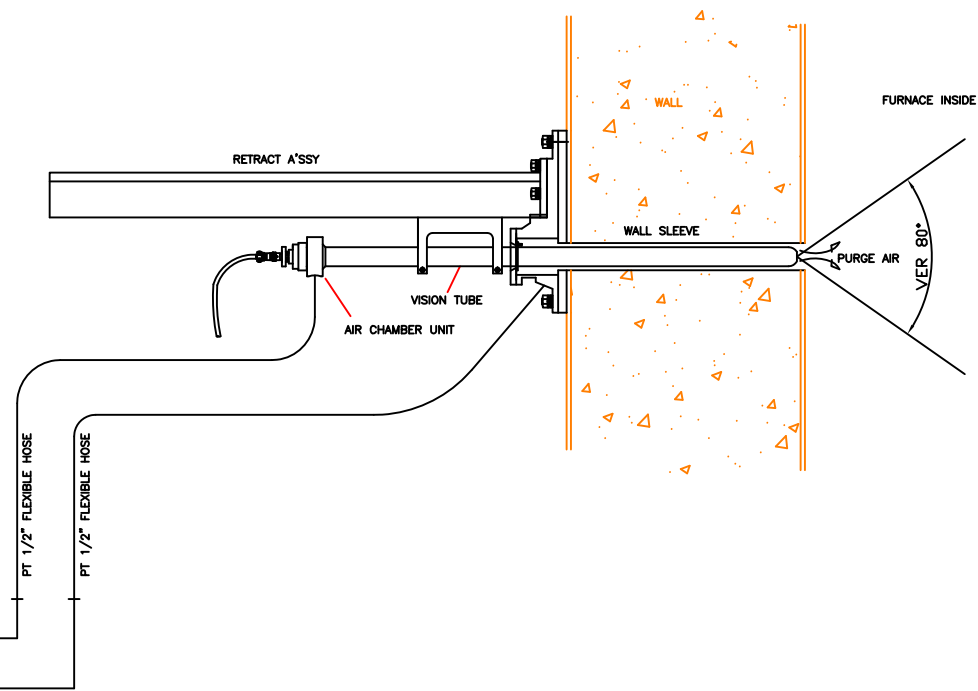
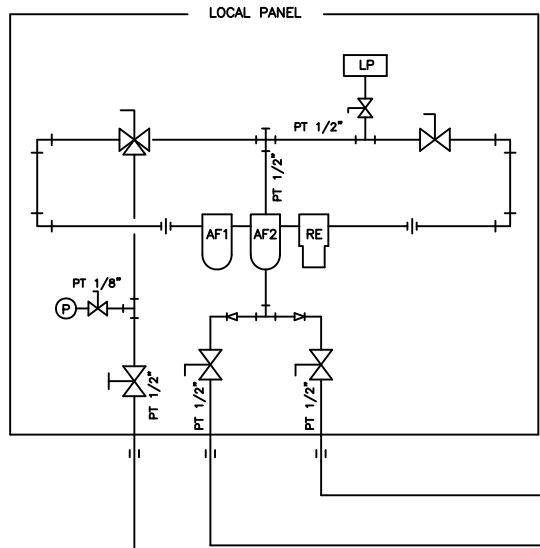
- 1) MONITOR 신규설치공사
- 2) MONITOR용 CONSENT 신규설치
- 3) CABLE DUCT 신규설치공사

- 1) 정전에 따른 UPS 설치공사
- 2) UPS TO MONITOR POWER CABLE 설치공사

△							CUSTOMER
△							
△							PROJECT
△	08.01.07	FOR APPROVAL	S.Y.SUN	J.MIN.LEE	Y.B.YOO	J.M.LEE	CCTV SYSTEM
NO.	DATE	REVISIONS	PREPARER	CHECKER	REVIEWER	APPROVER	

TITLE		BLOCK DIAGRAM	SCALE	N/S
		FURNACE CCTV SYSTEM	DATE	'08.01.07
DWG No.	HW-CCTV -FU-008	SHEET No.	8	CONT. No.
			11	

(주) 호원아이엔씨
 HOWON Instrument & control Co., Ltd.



INSTRUMENT AIR
 Pressure : 3.0~4kg/Cm²
 Volume : 1.0~1.2Nm³/min
 Temperature : AMB
 Process Connection : PT 1/2"

LEGEND

SYMBOL	DESCRIPTION	SYMBOL	DESCRIPTION
	AIR FILTER		TEE
	AIR FILTER		CROSS
	REGULATOR		REDUCER
	3-WAY VALVE		UNION
	GATE VALVE		ELBOW
	BALL VALVE		PRESSURE GAUGE
	SOCKET		LOW PRESSURE SWITCH

△							
△							
△							
△	08.01.07	FOR APPROVAL	S.Y.SUN	J.MIN.LEE	Y.B.YOO	J.M.LEE	
NO.	DATE	REVISIONS	PREPARER	CHECKER	REVIEWER	APPROVER	

CUSTOMER

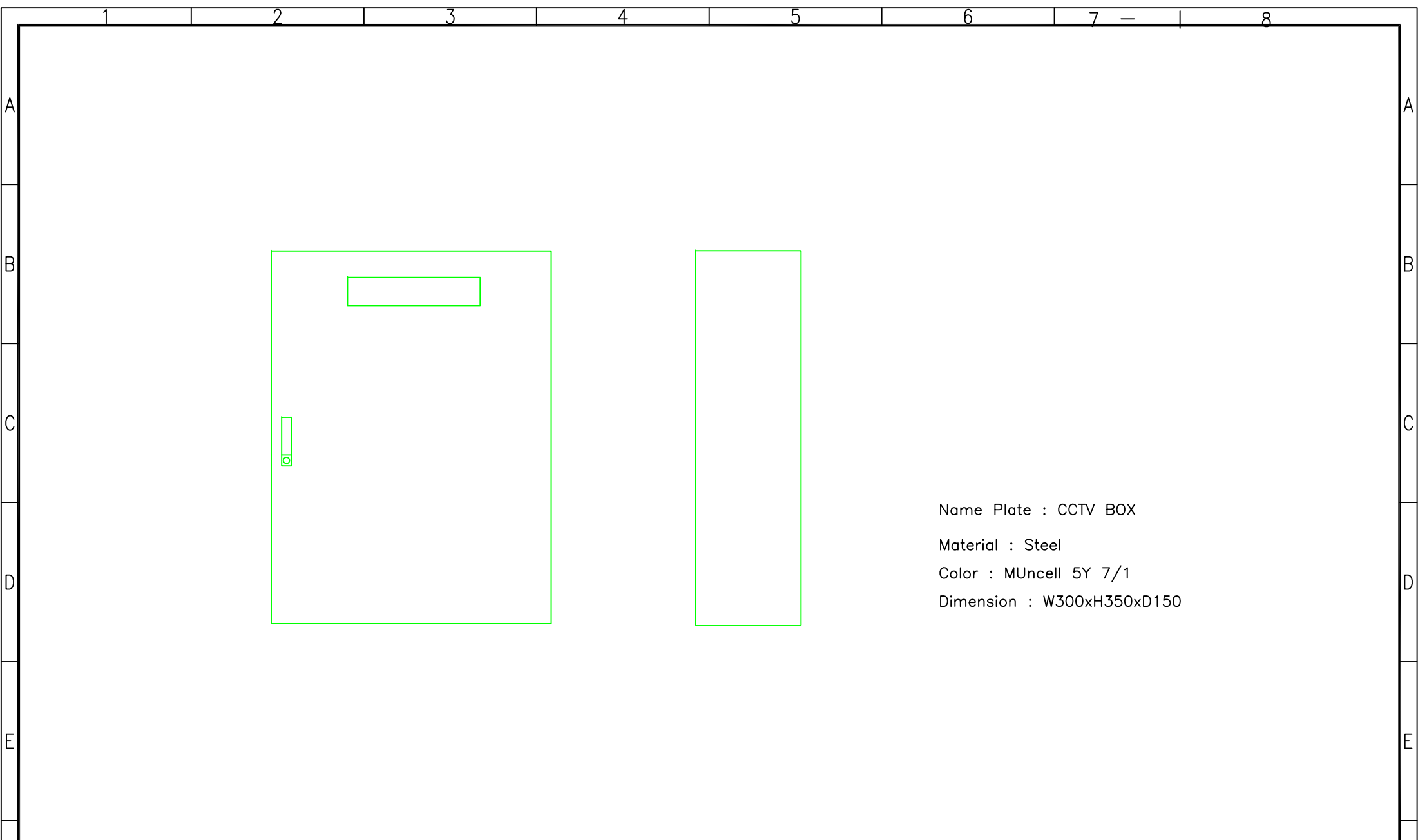
PROJECT
CCTV SYSTEM

TITLE
BLOCK DIAGRAM
FURNACE CCTV SYSTEM

SCALE N/S
 DATE '08.01.07

DWG No. HW-CCTV -FU-009 SHEET No. 9 CONT. No. 11


(주) 호원아이엔씨
 HOWON Instrument & control Co., Ltd.

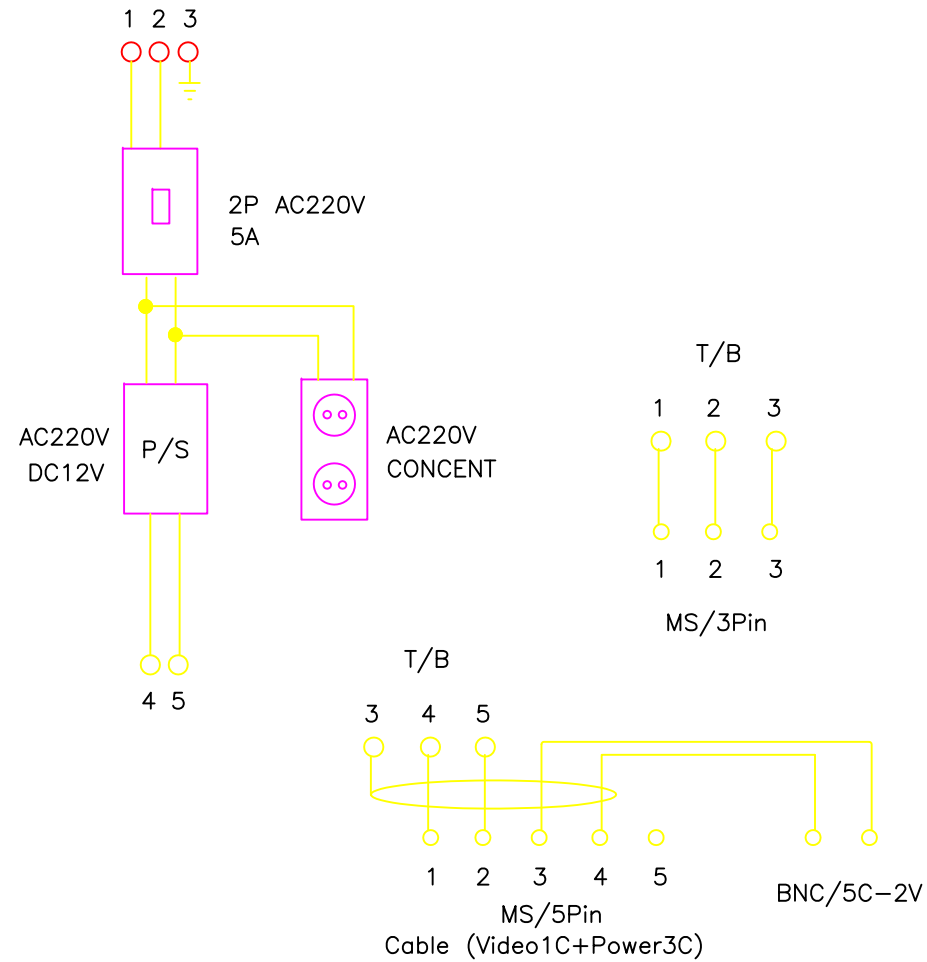
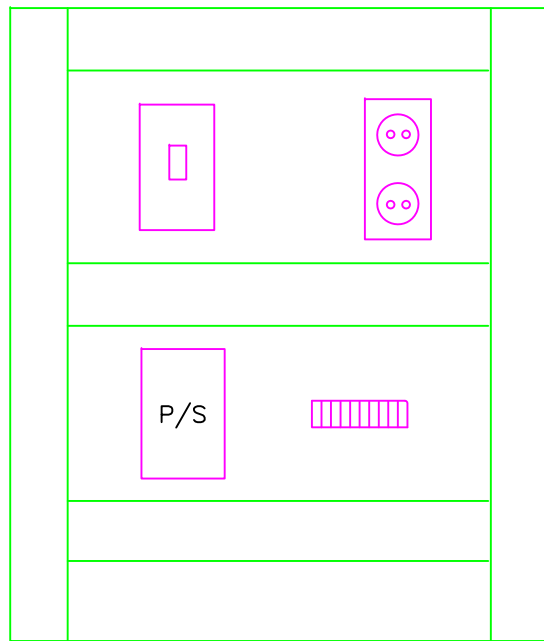


Name Plate : CCTV BOX
 Material : Steel
 Color : MUncell 5Y 7/1
 Dimension : W300xH350xD150

△						
△						
△						
△	08.01.07	FOR APPROVAL	S.Y.SUN	J.MIN.LEE	Y.B.YOO	J.M.LEE
NO.	DATE	REVISIONS	PREPARER	CHECKER	REVIEWER	APPROVER

CUSTOMER
PROJECT
CCTV SYSTEM

TITLE	PANEL LAYOUT	SCALE	N/S
	FURNACE CCTV SYSTEM	DATE	'08.01.07
DWG No.	HW-CCTV -FU-010	SHEET No.	10
		CONT. No.	11
 (주) 호원아이엔씨 HOWON Instrument & control Co., Ltd.			



△							CUSTOMER
△							
△							PROJECT
△	08.01.07	FOR APPROVAL	S.Y.SUN	J.MIN.LEE	Y.B.YOO	J.M.LEE	CCTV SYSTEM
NO.	DATE	REVISIONS	PREPARER	CHECKER	REVIEWER	APPROVER	

TITLE		CONNECTION DIAGRAM		SCALE	N/S
		FURNACE CCTV SYSTEM		DATE	'08.01.07
DWG No.	HW-CCTV -FU-011	SHEET No.	11	CONT. No.	11



(주) 호원아이엔씨
HOWON Instrument & control Co., Ltd.